

Technical data sheet



Product features

Cooking range electric with 4 solid top plates on open cabinet

Model	SAP Code	00014652
--------------	-----------------	----------



- Device type: Electric unit
- Power consumption of the zone 1 [kW]: 4x square hotplates 2.5 kW size 300 x 300 mm
- Power consumption of the zone 2 [kW]: 2,5
- Power consumption of the zone 3 [kW]: 2,5
- Power consumption of the zone 4 [kW]: 2,5
- Protection of controls: IPX4
- Material: AISI 304 top plate, AISI 430 cladding

SAP Code	00014652	Loading	400 V / 3N - 50 Hz
Net Width [mm]	800	Number of zones	4
Net Depth [mm]	700	Power consumption of the zone 1 [kW]	4x square hotplates 2.5 kW size 300 x 300 mm
Net Height [mm]	910	Power consumption of the zone 2 [kW]	2,5
Net Weight [kg]	89.80	Power consumption of the zone 3 [kW]	2,5
Power electric [kW]	10.000	Power consumption of the zone 4 [kW]	2,5

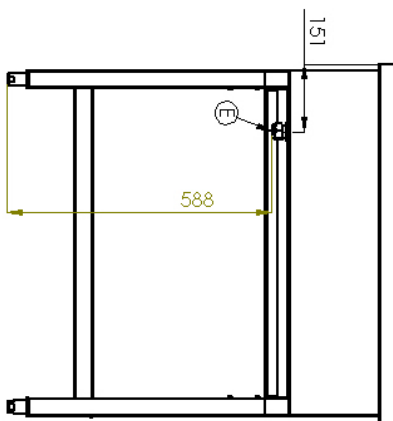
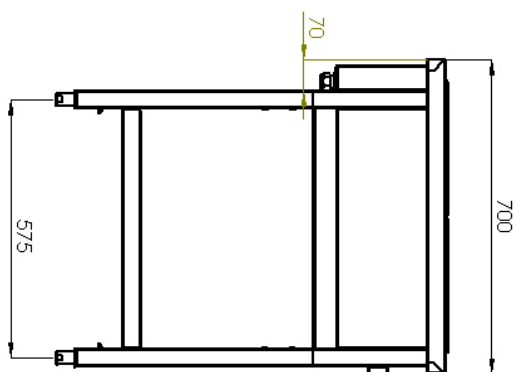
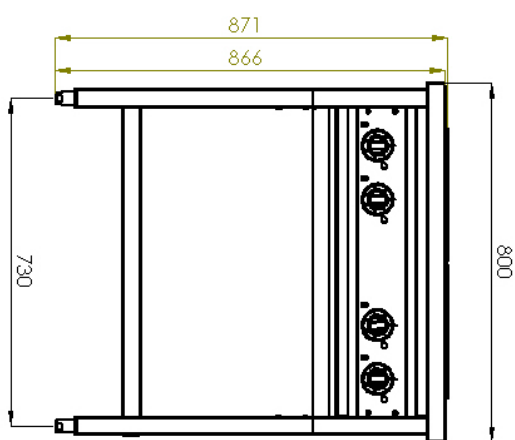
Technical data sheet



Technical drawing

Cooking range electric with 4 solid top plates on open cabinet

Model	SAP Code	00014652
--------------	-----------------	----------



Technical data sheet



Technical parameters

Cooking range electric with 4 solid top plates on open cabinet

Model	SAP Code	00014652
--------------	-----------------	----------

1. SAP Code:

00014652

2. Net Width [mm]:

800

3. Net Depth [mm]:

700

4. Net Height [mm]:

910

5. Net Weight [kg]:

89.80

6. Gross Width [mm]:

840

7. Gross depth [mm]:

800

8. Gross Height [mm]:

975

9. Gross Weight [kg]:

105.00

10. Device type:

Electric unit

11. Construction type of device:

With substructure

12. Power electric [kW]:

10.000

13. Loading:

400 V / 3N - 50 Hz

14. Protection of controls:

IPX4

15. Material:

AISI 304 top plate, AISI 430 cladding

16. Worktop material:

AISI 304

17. Worktop Thickness [mm]:

1.20

18. Number of zones:

4

19. Power consumption of the zone 1 [kW]:

4x square hotplates 2.5 kW size 300 x 300 mm

20. Power consumption of the zone 2 [kW]:

2,5

21. Power consumption of the zone 3 [kW]:

2,5

22. Power consumption of the zone 4 [kW]:

2,5

23. Number of power control stages:

6

24. Service accessibility:

Trough the frontal panel

25. Safety element:

internal thermostatic protection against overheating

26. Safety thermostat up to x ° C:

360

27. Adjustable feet:

Yes

28. Additional information:

drawer for easy removal of dirt stuck under the plates

Technical data sheet

Technical parameters



Cooking range electric with 4 solid top plates on open cabinet

Model	SAP Code	00014652
--------------	-----------------	----------

29. Number of burners/hot plates:

4

31. Cross-section of conductors CU [mm²]:

2,5

– Výkon (kW): 11-17 (230 V); 19-30 (400 V)

30. Type of electric cooking zones:

Squared